



R4-409BN
4" ROUND FROSTED GLASS SHOWER TRIM
SHOWER TRIM

| Project | | |
|----------|--|------|
| Customer | | Date |
| Address | | |

Features

Body

Painted finishes are powder coated for abrasion resistance. Frosted glass included. Steel metal clips secure to housing. Can be used in low or line voltage applications.

Location

Suitable for damp locations

Approved Bulb

Trim accommodates one MR-16 or GU-10 based bulb. See Housing for maximum wattage according to selection.

SPECIFICATION

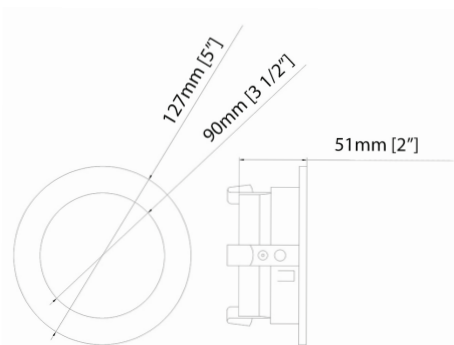
| | |
|-------------------|----------------|
| Application | Recessed Trim |
| Approved Location | Damp |
| Finish | Brushed Nickel |
| Bulb | MR-16 or GU-10 |
| Warranty | 3 years |



Description

The Beach Lighting 4" frosted glass shower trim is suitable for most indoor and damp locations.

Dimensions



D: 5"
H: 2"

Beach Lighting trims are certified to be used only with Beach Lighting housings. Any Beach Lighting trim used with a different manufacturer's housing will void our certification and our warranty.



Due to our continued efforts to improve our products, products specifications are subject to change without notice.