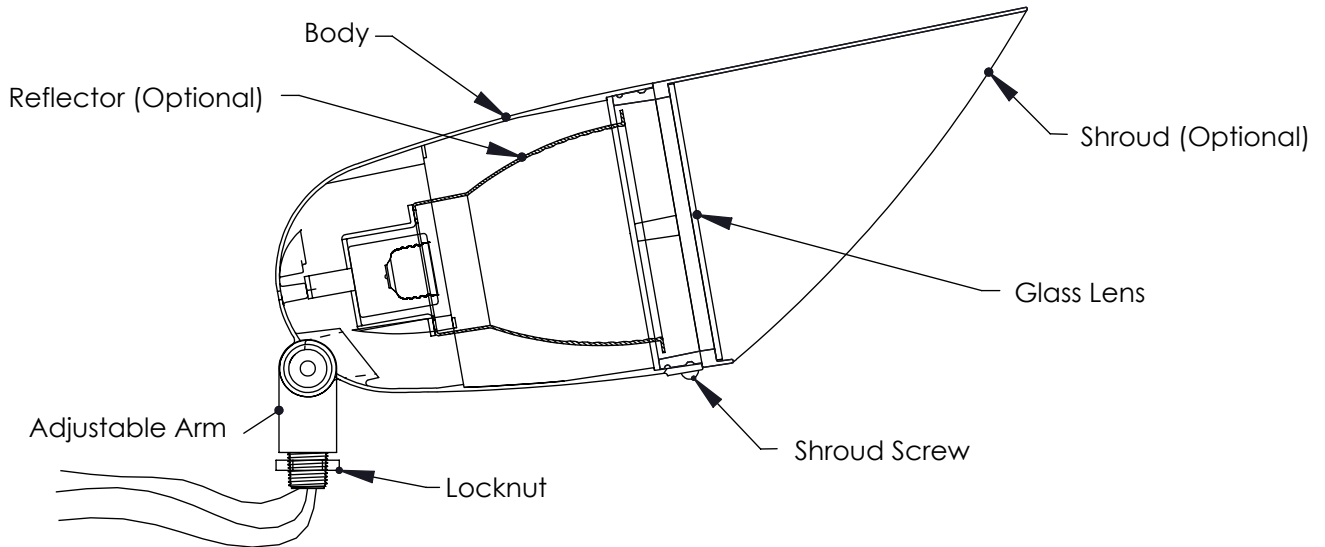


INSTALLATION INSTRUCTIONS: B4 & BU4 LARGE BULLYTES



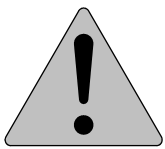
This fixture is intended for installation in accordance with the National Electrical Code and local code specifications. Failure to adhere to these codes and instructions may result in serious injury and/or damage to the ballast and void the warranty. These instructions do not purport to cover all details or variations in equipment, nor to provide for every possible contingency related to installation, operation, maintenance, or mounting situation. Should specific problems occur that are not addressed by these instructions, contact your Sales Representative or distributor for assistance. Retain these instructions for future reference.



SAFETY WARNING:

ALWAYS TURN FIXTURE OFF/DISCONNECT POWER AND ALLOW TO COOL BEFORE PERFORMING ANY MAINTENANCE, INCLUDING RELAMPING AND CLEANING!

This fixture can become very HOT! The fixture housing and lens, especially if it is glass, can become hot enough to blister hands. Attention should be paid to where the fixture is mounted, particularly if it can be touched by children or pets. To help prevent premature failure, decreased performance, overheating and risk of fire, keep fixture and lens clean and free of leaves, mulch, debris and mineral deposits from water. The fixture and lens can be cleaned using a soft cloth and a solution of mild liquid soap and warm water. Wipe clean and dry with a soft, lint-free dry cloth. Avoid polishing fixture or lens.



INSTRUCTIONS PERTAINING TO A RISK OF FIRE OR INJURY TO PERSONS IMPORTANT SAFETY INSTRUCTIONS - SAVE THESE INSTRUCTIONS!

WARNING - Lamp gets HOT quickly! To reduce the risk of FIRE OR INJURY TO PERSONS:

Do not operate fixture with a missing or damaged lens/lens assembly.

Contact only switch or plug when turning fixture on or off. Do NOT touch hot lens or housing.

Turn off or unplug fixture and allow to cool before relamping. Keep lamp away from combustibles.

Do NOT touch lamp with bare hands at any time, use a soft cloth as oil from skin may damage lamp.

Possible lamps to be used are...

Aluminum/Brass Fixtures:

Wattage	Lamping	Reflector	Shroud
250W MAX	PAR38 INCANDESCENT	NO	OPTIONAL
300W MAX	R40 INCANDESCENT	NO	REQUIRED
150W MAX	PAR38 MH	NO	REQUIRED
150W MAX	E17 MH	YES	INCLUDED

Composite Fixtures:

Wattage	Lamping	Reflector	Shroud
175W MAX	PAR38 INCANDESCENT	NO	OPTIONAL
150W MAX	R40 INCANDESCENT	NO	REQUIRED
100W MAX	PAR38 MH	NO	REQUIRED
100W MAX	E17 MH	YES	INCLUDED

* AN OPEN RATED LAMP MUST BE USED WHEN NOT USING SHROUD.

INSTALLATION INSTRUCTIONS

1. Make sure power is OFF before installing or servicing this fixture.
2. The fixture must be mounted to a U.L. listed junction box or mounting stake. Stake #S3 & S35 may be used, or boxes #M0029, B11, B12, B13, B14, CB1, TM2H, TMC2H, or any IBH/WBH ballast boxes.
3. Thread wires through hole in stake cap, or junction box lid. Screw arm of fixture onto lid. Lock into desired position by tightening arm locknut.
4. Connect white supply wire to white fixture wire, black supply wire to black fixture wire, and supply ground wire to fixture ground wire. Use wire connectors (not supplied) to secure connections.
5. Attach cap/lid to stake/box, making sure not to pinch wires.
6. If fixture includes a shroud, loosen the shroud screw and remove the shroud.
7. Install specified lamp according to lamp label on fixture and/or the chart above.
8. **If using a Metal Halide lamp, fill in the lamp wattage and ANSI Code on the lamp label. The lamp and ballast ANSI codes must match (see below chart of Hadco ballasts and ANSI Codes).**
9. If shroud was included, or purchased separately, put shroud on fixture and tighten shroud screw.

HADCO BALLAST TABLE (INFO TO BE USED TO COMPLETE HID LAMP LABEL)

<u>Model Number</u>	<u>Wattage</u>	<u>ANSI Code</u>
ABH/IBH/WBH	35	M130
ABH/IBH/WBH	50	M110
ABH/IBH/WBH	70	M98/M143
ABH/IBH/WBH	100	M90/M140
ABH/IBH	150	M102/M142

NOTES:

WHEN TO USE DRAIN HOLE PLUGS:
(WITH PAR LAMPS ONLY!)

Aiming above the horizontal:

A) If fixture is mounted with the arm below the housing, the rubber drain hole plugs at the rear and bottom of the fixture should NOT be used.

B) If the fixture is mounted with the arm above the base of the housing, the rubber plug in the side of the fixture must be used, but the one in the base of the fixture should NOT be used.

Aiming below the horizontal:

C) Both plugs must be used if the fixture is aimed below 90°.

