

Fixture Type: \_\_\_\_\_

Catalog Number: \_\_\_\_\_

Project: \_\_\_\_\_

Location: \_\_\_\_\_

## Hailey

Flush Mount 3000K

Model & Size	Color Temp & CRI	Finish	Watt	LED Lumens	Delivered Lumens
FM-53116 16"	3000K 90	AB Aged Brass BK Black BN Brushed Nickel	15W	948.3	759

Example: **FM-53116-BN**

For custom requests please contact [customs@wacighting.com](mailto:customs@wacighting.com)

### DESCRIPTION

Fine fabrics and hardware complements. Soft modern elegance.

### FEATURES

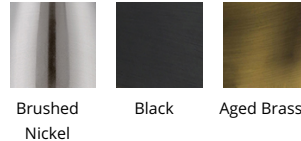
- Fabric shade with etched acrylic diffuser
- Driver concealed within the fixture
- 5 year warranty

### SPECIFICATIONS

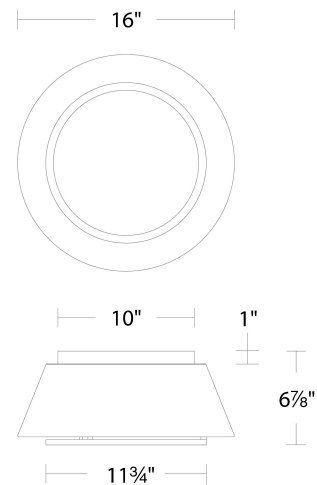
Color Temp:	3000K
Input:	120 VAC,50/60Hz
CRI:	90
Dimming:	ELV: 100-10% ,TRIAC: 100-10%
Rated Life:	60000 Hours
Standards:	ETL, cETL,Title 24 JA8-2019 Compliant Dry Location Listed
Construction:	Aluminum body, fabric diffuser



### FINISHES:



### LINE DRAWING:



FM-53116